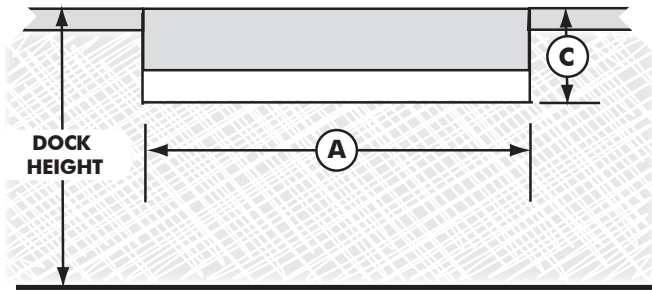


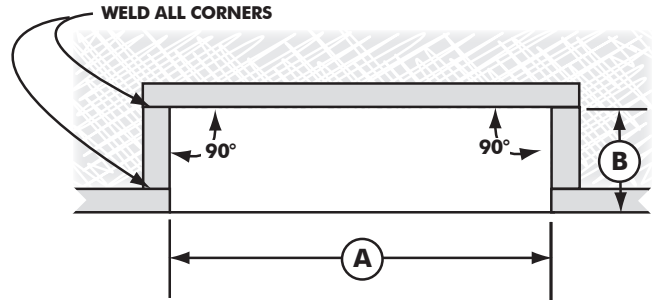
Edge-Of-Dock Pit Details

FRONT VIEW

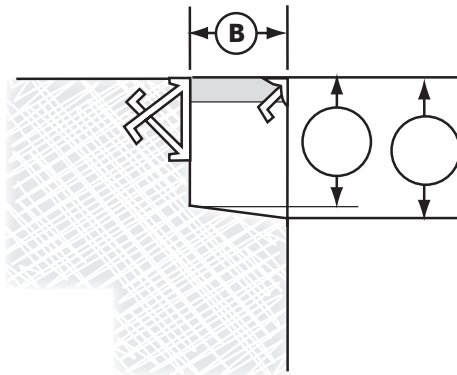


- MINIMUM CONCRETE STRENGTH 3,000 PSI

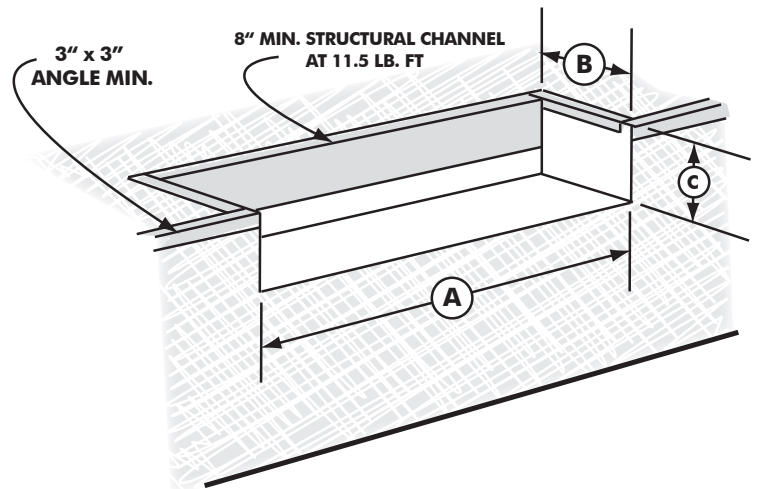
TOP VIEW



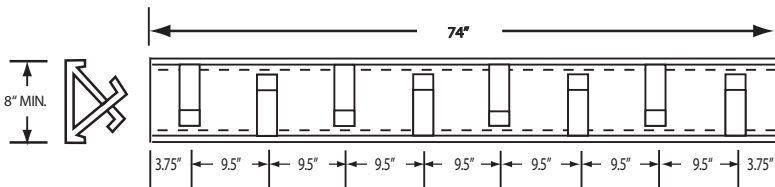
SIDE VIEW



ISOMETRIC VIEW

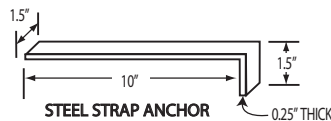


E.O.D. 8" MIN. STRUCTURAL CHANNEL DETAIL



* Drawings Not To Scale

8" STRUCTURAL CHANNEL
11.5 LB. FT
.22" WEB THICKNESS
2.26" FLANGE WIDTH



EDGE-OF-DOCK PIT DIMENSIONS

DIM "A"	WIDTH	_____
DIM "B"	DEPTH	_____
DIM "C"	HEIGHT	_____

Customer: _____
 Signature Approval By: _____
 Project: _____
 Address: _____
 City: _____ State: _____
 Architect/GC: _____

Authorized Dealer

Consistent with our policy of continuing product improvement, we reserve the right to change these specifications without notice or obligation.