

Series H1 Hydraulic Leveler Submittal

"H1" SERIES HYDRAULIC DOCK LEVELER MODEL SPECIFICATIONS

MODEL	LIP*	DECK*	NOMINAL LENGTH	WIDTH	HINGE CF1045	SEAMLESS HINGE	OPERATING RANGE
H16625, 30 / H17625, 30	1/2" x 16"	1/4"	6'	72" / 83"	1" diameter	1 5/8" diz. O.D.	+12" / -12"
H16825, 30 / H17825, 30	1/2" x 16"	1/4"	8'	72" / 83"	1" diameter	1 5/8" diz. O.D.	+12" / -12"
H16635, 40, 45	5/8" x 16"	1/4"	6'	72"	1 1/8" diameter	2" dia. O.D.	+12" / -12"
H17635, 40, 45	5/8" x 16"	1/4"	6'	83"	1 1/8" diameter	2" dia. O.D.	+12" / -12"
H16835, 40, 45	5/8" x 16"	1/4"	8'	72"	1 1/8" diameter	2" dia. O.D.	+12" / -12"
H17835, 40, 45	5/8" x 16"	1/4"	8'	83"	1 1/8" diameter	2" dia. O.D.	+12" / -12"
H161025, 30 / H171025, 30	1/2" x 16"	1/4"	10'	72" / 83"	1" diameter	1 5/8" diz. O.D.	+12" / -12"
H161035, 40, 45	5/8" x 16"	1/4"	10'	72"	1 1/8" diameter	2" dia. O.D.	+16" / -16"
H161035, 40, 45	5/8" x 16"	1/4"	10'	83"	1 1/8" diameter	2" dia. O.D.	+16" / -16"

INSERT SPECIFIC JOB REQUIREMENTS

--	--	--	--	--	--	--	--

STANDARD
A.N.S.I.

--	--

*Lip and deck, 55,000 lb. minimum yield steel; One (1) year structural warranty.

**Models with deck width of 78" (6 1/2') are available upon request.

STANDARD FEATURES

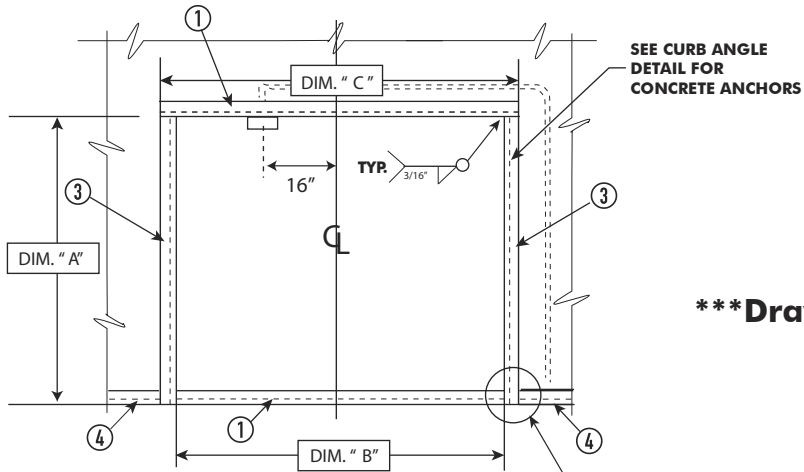
- Two (2) Bumpers
- 16" Lip
- Grease Fittings
- Working Range Toe Guards
- Deck Support, Structural "C" Channel
- Fully Hydraulic Activation
- In-Line Safety Stop (prevents free-fall)
- Motor - 1 h.p. 1 ph. 60 Hz.
 - 115 Volt
 - 230 Volt
- Lip Keepers / Night Locks
- Maintenance Strut
- Below Dock Control


NOTE
PROJECT

OPTIONAL FEATURES

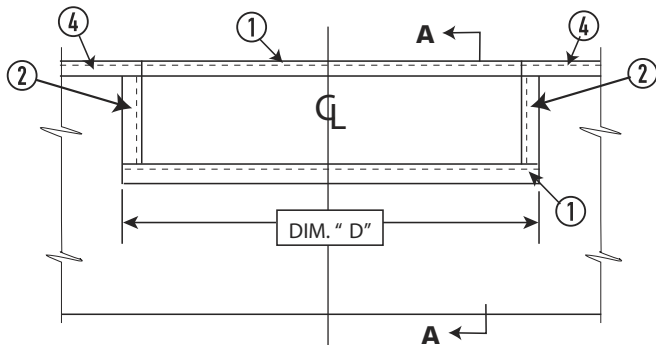
- 18" Lip
- 20" Lip
- Weather Seals
- Foam Insulation
- Abrasive Deck
- Explosion Proof
- 3 Phase
 - 208 Volt 230 Volt
 - 460 Volt 575 Volt
- Emergency Stop
- Three Wheel Fork Lift
- Yellow & Black Diagonal Safety Stripe On Toe Guards
- 4" x 10" x 12" Laminated Bumpers

Series HI Hydraulic Leveler Submittal



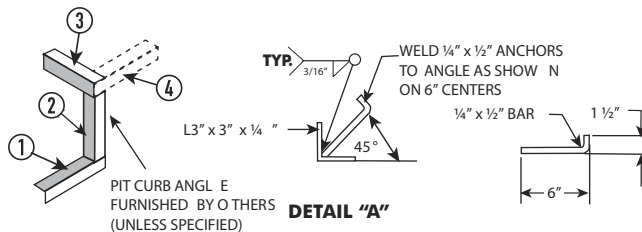
PLAN SEE DETAIL "A" BELOW

CURB ANGLE MATERIAL: A-36 C. STEEL

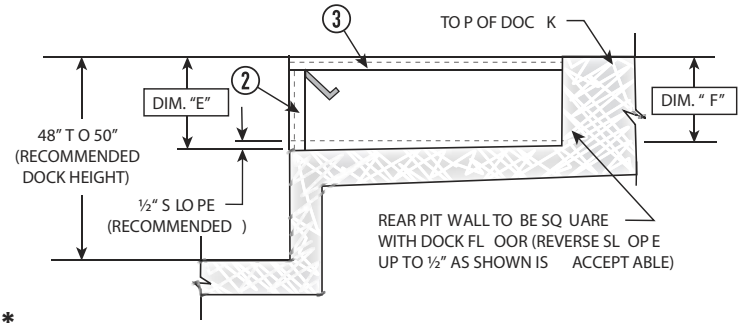


FRONT ELEVATION

CURB ANGLE MATERIAL: A-36 C. STEEL



Drawing NOT To Scale



SECTION "A-A"

CURB ANGLE MATERIAL: A-36 C. STEEL

JOB DIMENSION CHART

A	B	C	D	E	F

BILL OF MATERIAL

Item	Required	Description
1	2	3" x 3" x .25" Angle x "C" Long
2	2	3" x 3" x .25" Angle x 17" Long
3	2	3" x 3" x .25" Angle x "D" Long
4	2	3" x 3" x .25" Angle (See Note 1)

Note 1: Angle 3" x 3" x .25" x 20" long or run continuous pit to pit. (Supplied by others)

MODEL: _____ QUANTITY: _____

CUSTOMER: _____

SIGNATURE APPROVED BY: _____

PROJECT: _____

ADDRESS: _____

CITY: _____ STATE: _____

ARCHITECT: _____

GENERAL CONTRACTOR: _____