

Mechanical Pit Detail

SUBMITTED FOR APPROVAL.

Mechanical dock leveler shall be Model _____ as provided by Chalfant Sewing Fabricators, Inc., 11525 Madison Avenue, Cleveland, OH 44102 to fit shown pit size in job dimensions chart. Unit capacity to be _____ lbs. with the following accessories; _____

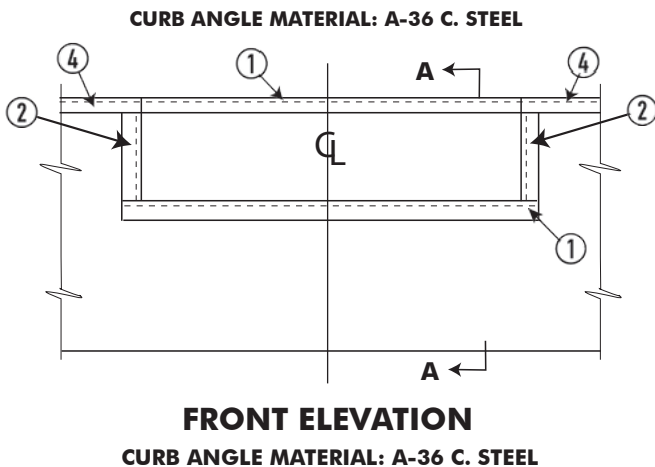
and two (2) dock bumpers per dock leveler.

WARRANTY

One (1) year Guarantee against manufacturing defects in material & workmanship from date of installation. *Excludes any failure caused by improper application, improper installation, damage caused by trucks or trailers, overloading, abuse or negligence, maintenance (spring adjustments), and maintaining equipment are not covered by warranty.

Dock levelers delivered to site during facility construction and set in dock pit must be installed to prevent damage to equipment, building and injury to personnel. Contractor assumes all responsibility resulting from equipment set into pit and any usage prior to equipment installation. When levelers are in or used during construction area, they must be maintained and greased and kept free of debris prior to store opening. We reserve the right to address any cost incurred to service equipment due to events during construction such as debris, usage, damage... at additional cost.

JOB DIMENSION CHART				
MODEL SIZE	A	B	C	D



BILL OF MATERIAL		
Item	Required	Description
1	2	3" x 3" x .25" Angle x "C" Long
2	2	3" x 3" x .25" Angle x 17" Long
3	2	3" x 3" x .25" Angle x "D" Long
4	2	3" x 3" x .25" Angle (See Note 1)

Note 1: Angle 3" x 3" x .25" x 20" long or run continuous pit to pit.
(Supplied by others)

