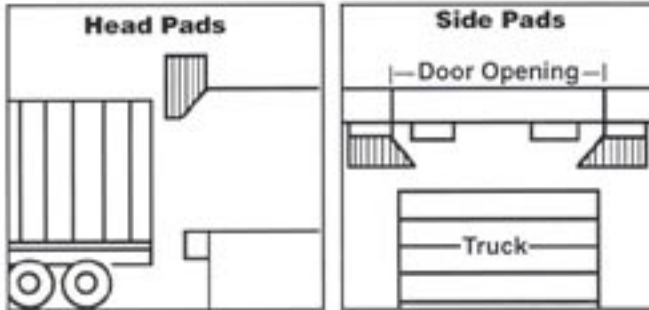
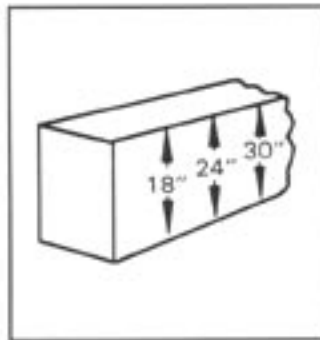




Beveled Head or Side Pads

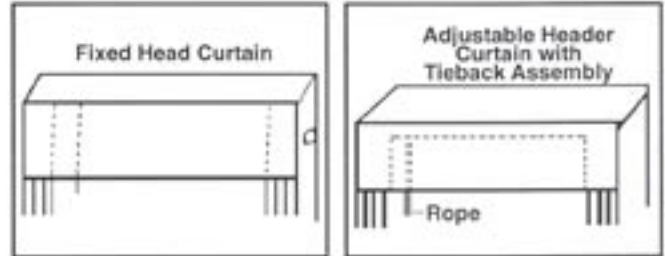


Beveled head or side pads run the entire length of the pad. Their purpose is to close a door opening down to accommodate a wider variety of truck sizes: particularly smaller sized trucks.



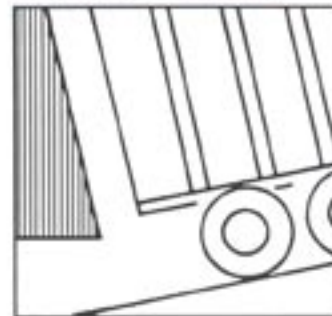
Larger head pads may be ordered on any Dor-Seal to adapt it to a broader range of truck heights. 18", 24" and 30" head pad options are available for models with fixed head pads (12" standard). 24" and 30" head pad options are available for models with adjustable head pads (18" standard).

Special Headers



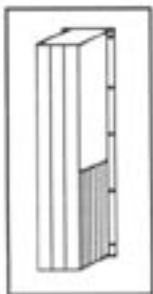
For use with Chalfant Dor-Seals where standard header pads are not applicable because of excess door height. Vertical pads extend normally 100" or the full height of the door. Head curtain is affixed at rear of unit, covers the top and drops down the face. The front drop is generally to 24", however, they are available from 12" up to 50" depending of type of trailer you are sealing and door height.

Tapered Dor-Seals



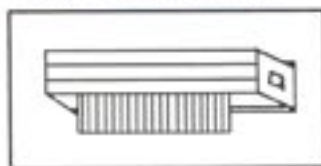
Provide maximum closure efficiency when dock aprons are reached from above or below grade. Tapered pad construction assures firm contact throughout entire pad with truck - reduces wear at top or bottom of Dor-Seal.

Vertical Chafe Reinforcement



Recommended when vertical pads are subject to high abrasion or rubbing by through traffic. Standard 4 or 8 foot height. Materials: 40 oz. vinyl coated nylon: Tan, Green, Black, Brown, Blue. 20 oz. hypalon coated nylon: Black, Brown, Tan, Blue. 40 oz. Neoprene coated nylon: Black only.

Flap Front Header



To assist in sealing low trucks, this header has a flap secured to the bottom front edge. The flap can be snapped up and under to the back bottom edge of the pad when not in use (velcro snap-up). Flap is available in all fabrics. Curtain drop may vary from 6" to 24".

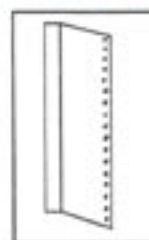
Recover Kits



Your dock seal/shelter can be recovered using existing foam pads/basic structure.

Recovering can add up to major savings compared to complete replacement.

Metal Backing

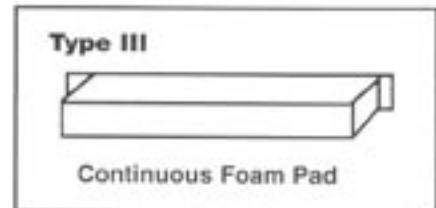
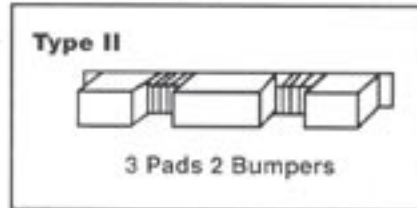
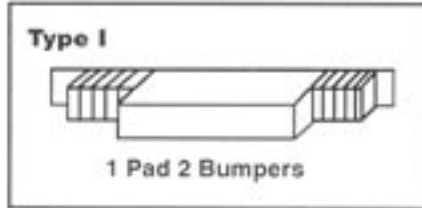


Available on side pad or head pad. 14 gauge galvanized backing in place of standard wood backing.

*Options and Accessories
Continued on Reverse Side*

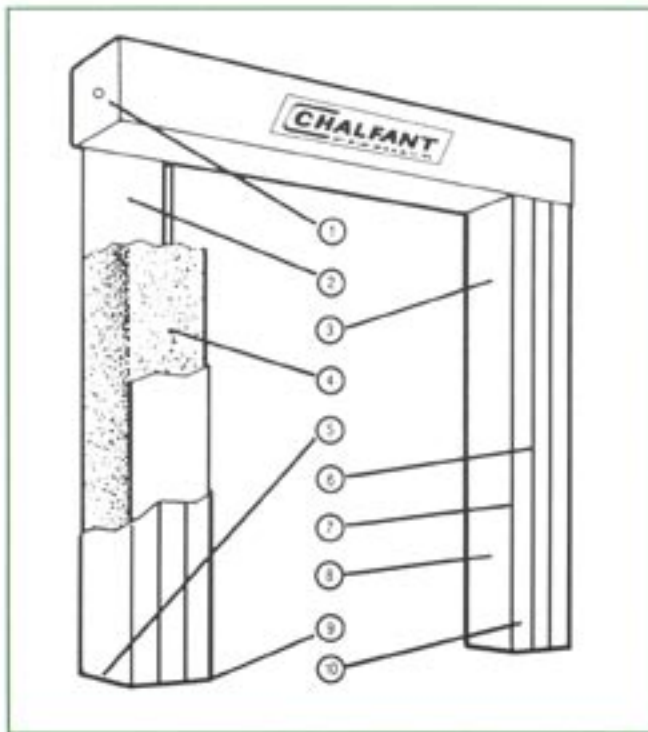


Bottom Pads and Bumpers with Wood Backing



Fabric Cover: 40 oz. neoprene coated nylon - black
*Steel backing optional.

Basic Construction Features



- ① AIR VENTS - All pads are equipped with air vents to minimize possible rupture of pad covers and subsequent building wall damage.
- ② WOOD OR STEEL MOUNTING BASE - Chalfant Dor-Seal pads are factory assembled and mounted to kiln dried 2" wood thoroughly sealed and completely encased inside of the pad cover to protect it from abuse and from outside elements.
- ③ Fabric pad cover is available in vinyl, hypalon and neoprene.
- ④ PREMIUM GRADE POLYURETHANE PAD FILLER - Pad filler foam is standard 1.00 pound density per cubic foot weight with a 35-pound compression

factor, open celled construction of an ether base. Cushions impact of heavy trucks, compressing from 12" to 4". Resilient from -50° F to +180° F. Outstanding aging and non-sagging properties. Fire retardant foam available upon special request.

- ⑤ Bottom of each side pad is tapered up to avoid pinching, sagging, and wear when compressed.
- ⑥ GUIDE STRIPES - Guides truck driver. Made of 22 oz. per sq. yd. vinyl-coated nylon, 4" wide - yellow.
- ⑦ THREAD - Chalfant carefully selects all materials for durability, including thread which is polyester Dacron, heavy-duty, minimum size FF (Size 138) bonded. Meets requirements of Federal Specification V-T-285.
- ⑧ ADHESIVE - The fabric sides of the vertical pads facing into the door opening are chemically bonded to the polyurethane foam pad filler with a high quality, liquid chemical adhesive to minimize snagging of the fabric by materials and handling equipment passing through the opening.
- ⑨ DRAIN HOLES - Pads are equipped with metal eyelet drain holes to reduce moisture build-up.
- ⑩ OPTIONAL PAD FACING - Extra heavy-duty wear-face or Guardian Flex for high abrasion resistance may be specified.



"Quality Made, Built To Last"

11525 MADISON AVENUE
CLEVELAND, OH 44102-2325
TEL: 216-521-7922 FAX: 216-521-6854
VISIT US ON THE WEB: www.ChalfantUSA.com