



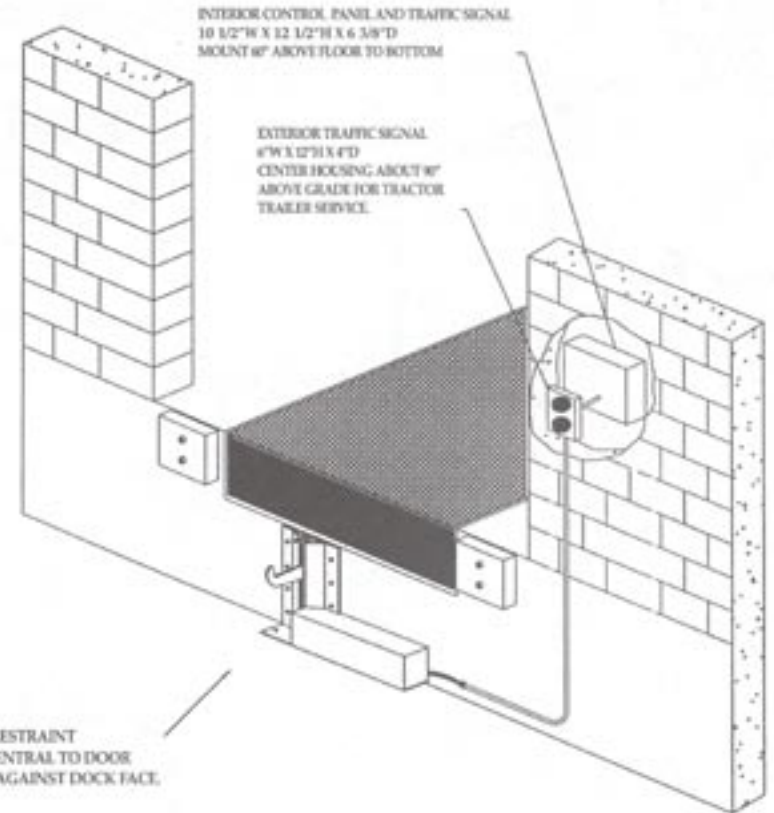
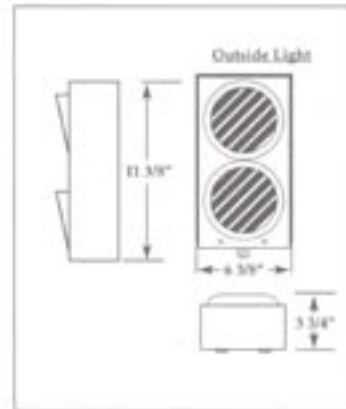
STANDARD FEATURES

- Automatic unit provides in excess of 50,000 lbs. restraining force.
- Wide 12"-30" operating range
- Captures and holds all legal ICC bars
- Non-impact operation — designed to meet 1998 ICC regulations
- Positive contact hook automatically floats up or down with trailer
- Automatic inside/outside light system
- Complete inside/outside sign package included
- Bolt hole pattern designed for optimal holding force.
- Low maintenance
- Approximately one (1) hour installation time.
(Not including electrical wiring).

OPTIONAL FEATURES

- Steel mounting plate for new construction
- Steel blockouts for bumper projections greater than 4" including edge-of-dock levelers
- Template for pre-mounting attachment bolts

INSIDE / OUTSIDE TRAFFIC DOCK LIGHT PACKAGE WARNING SIGNS



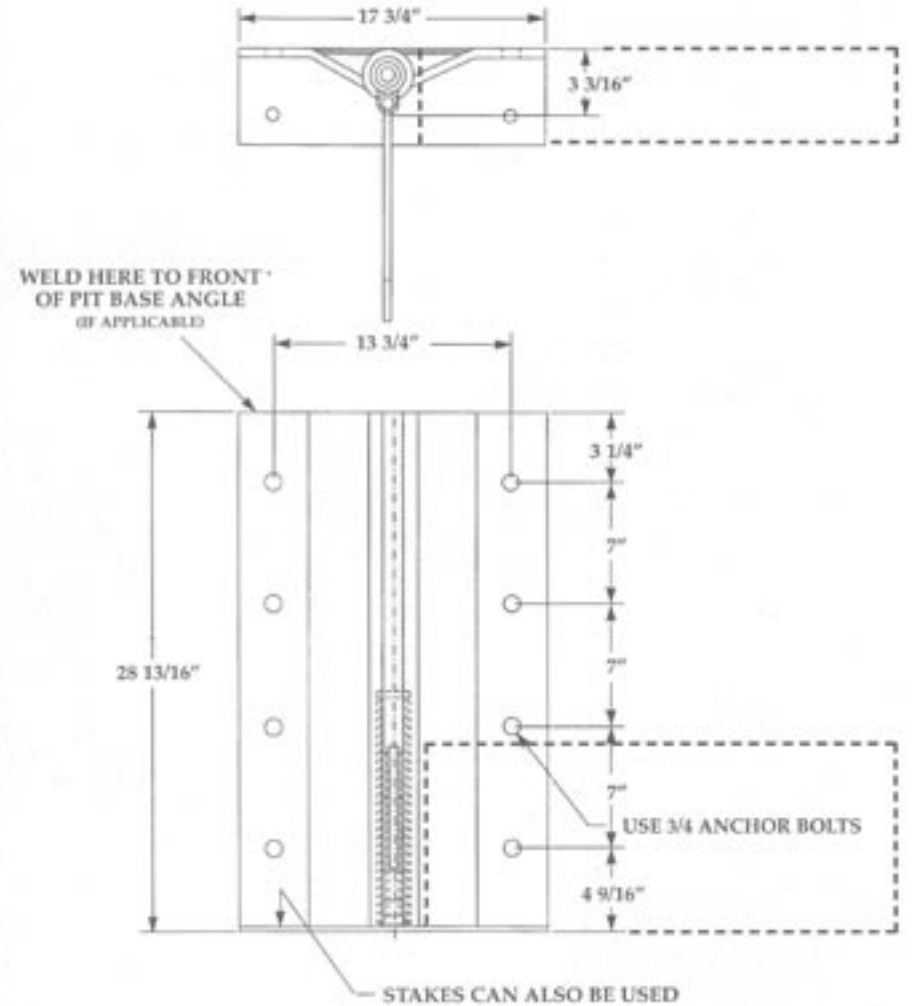
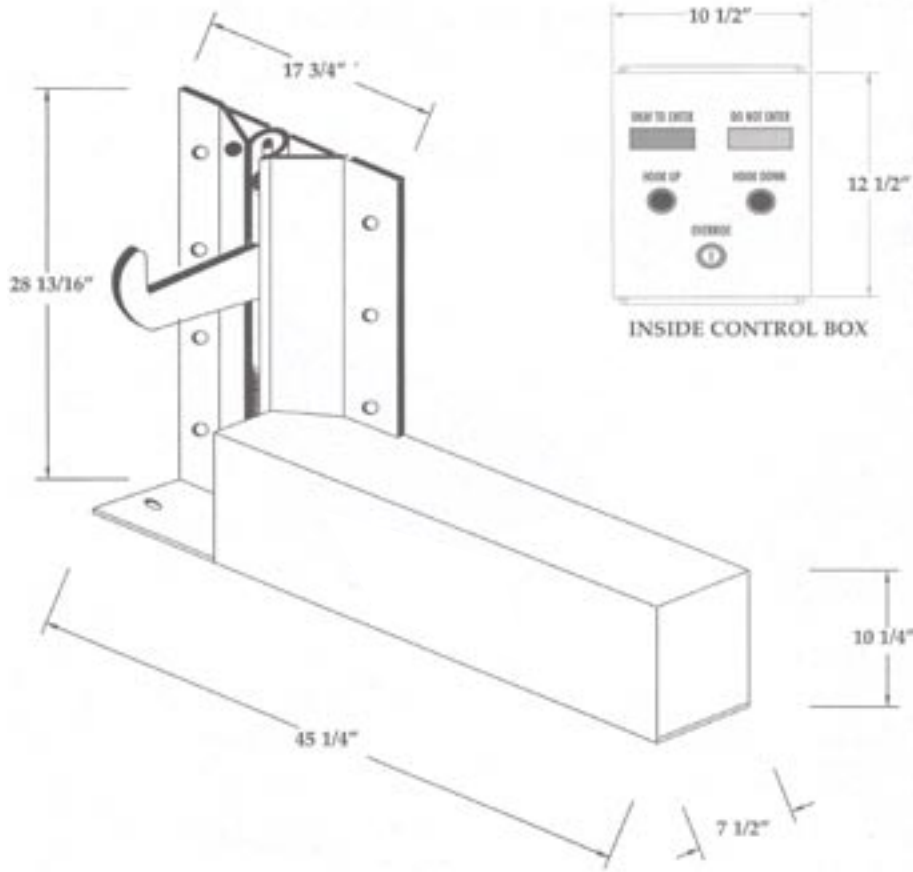
"Quality Made, Built To Last"

11525 MADISON AVENUE
CLEVELAND, OH 44102-2325
TEL: 216-521-7922 FAX: 216-521-6854
VISIT US ON THE WEB: www.ChalfantUSA.com

ETR SERIES RESTRAINT



ELECTRICAL DETAIL



MODEL: _____ QUANTITY: _____

CUSTOMER: _____

SIGNATURE APPROVED BY: _____

PROJECT: _____

ADDRESS: _____

CITY: _____ STATE: _____

ARCHITECT: _____

GENERAL CONTRACTOR: _____



"Quality Made, Built To Last"

11525 MADISON AVENUE
 CLEVELAND, OH 44102-2325
 TEL: 216-521-7922 FAX: 216-521-6854
 VISIT US ON THE WEB: www.ChalfantUSA.com