

# Product Information



# Loading Dock Metal Hood

## Submittal:

MODEL: \_\_\_\_\_ QUANTITY: \_\_\_\_\_  
 CUSTOMER: \_\_\_\_\_  
 PROJECT: \_\_\_\_\_  
 ADDRESS: \_\_\_\_\_  
 CITY: \_\_\_\_\_ STATE: \_\_\_\_\_  
 ARCHITECT: \_\_\_\_\_  
 GENERAL CONTRACTOR: \_\_\_\_\_



Loading dock metal canopies provides shelter protection overhead, from inclement weather conditions. Loading dock metal canopies are available in the following sizes, as well as, custom-made for your specific application.

### LOADING DOCK METAL CANOPY

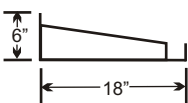
#### MODEL

DMH-18

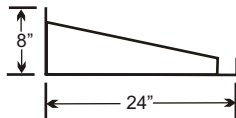
DMH-24

DMH-36

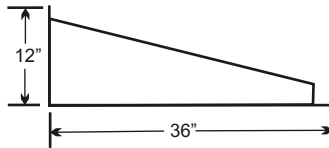
SPECIAL \_\_\_\_\_



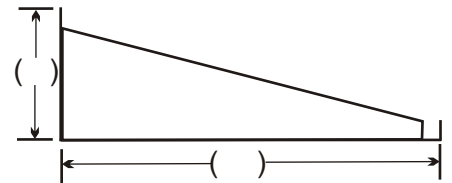
18 Gauge material



16 Gauge material



14 Gauge material



Special sizes available

Optional Cable Support

#### WIDTH

8'0"

9'0"

10'0"

11'0"

12'0"

Special \_\_\_\_\_

#### FINISH

Galvanized

Powder Coated;

Blue

Green

Tan

White

Special \_\_\_\_\_

### Notes:

# Loading Dock Metal Hood

## Installation Steps -

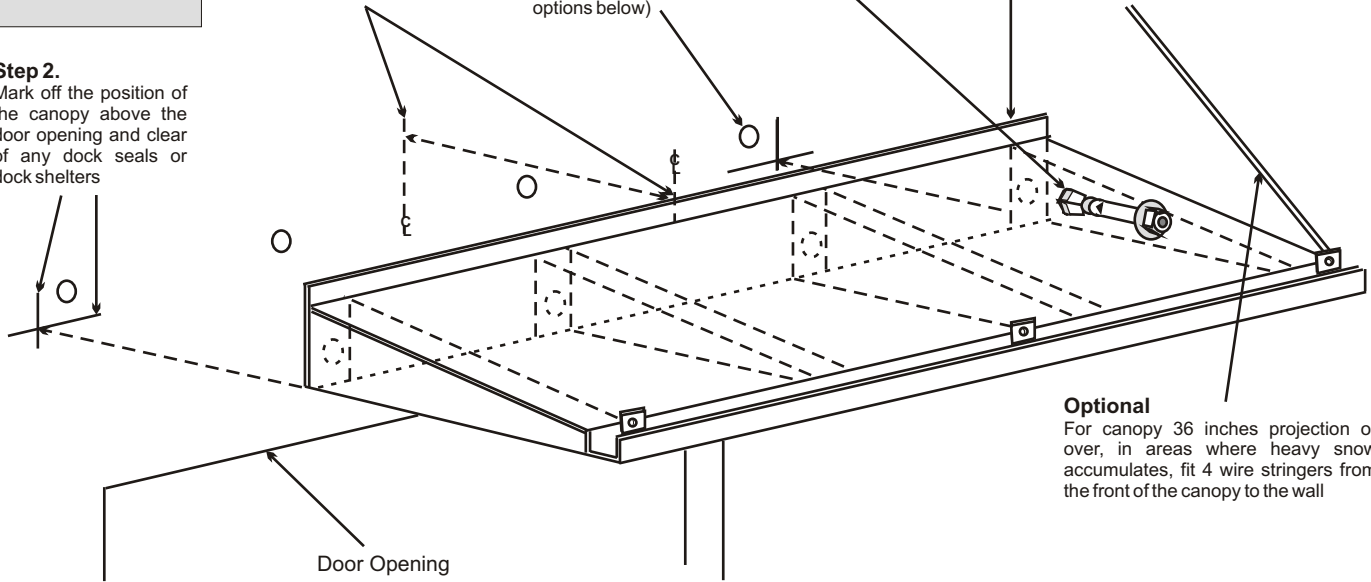
**Step 2.**  
Mark off the position of the canopy above the door opening and clear of any dock seals or dock shelters

**Step 1.**  
Mark the center line of the door opening and the canopy

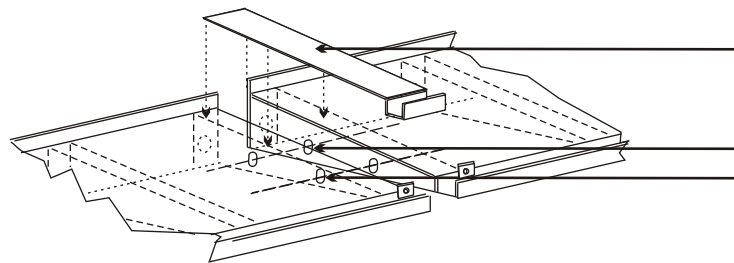
**Step 3.**  
Drill holes in the wall to match the holes in the canopy (see mounting options below)

**Step 4.**  
Position the canopy in place and anchor to the wall

**Step 5.**  
Caulk across the top of the canopy



**Optional**  
For canopy 36 inches projection or over, in areas where heavy snow accumulates, fit 4 wire stringers from the front of the canopy to the wall

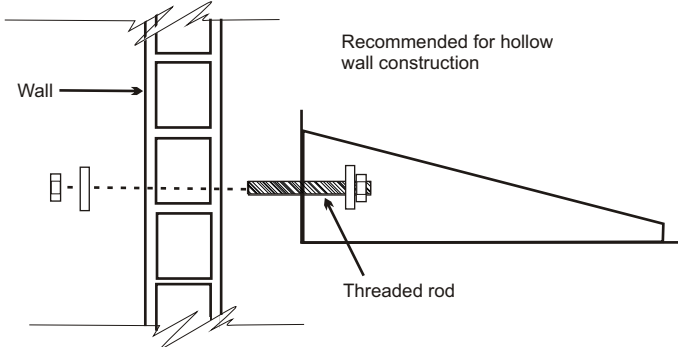


**Optional** overlap splice plate

**Wide Metal Canopies -**  
Over sized units may require that they be divided into two or more sections and with the requirement to be bolted together, as shown, end to end. Sealing of length of seam is required with caulking.

## Mounting Options -

### Bolt Through Wall



### Anchor To Wall

