

## Dock Leveler Survey Sheet

### Operation Characteristics

Number of shifts per day - \_\_\_\_\_  
 Number of deliveries per shift - \_\_\_\_\_  
 Number of trucks per dock per day - \_\_\_\_\_  
 Days per week - \_\_\_\_\_  
 Type of cargo - \_\_\_\_\_  
 Is end loading of trailer typical? Yes \_\_\_\_\_ No \_\_\_\_\_

### Material Handling Equipment

Hand powered pallet truck                       Electric pallet truck  
 Powered platform truck                       Electric fork truck  
 Gas/LP fork truck

3 wheeled     4 wheeled  
 Solid tires     Pneumatic tires

Maximum lifting capacity - \_\_\_\_\_  
 Weight of fork truck and attachments - \_\_\_\_\_  
 Total Gross Vehicle Weight (GVW) = \_\_\_\_\_

### Loading Dock Approach

Level Dock Approach - \_\_\_\_\_  
 Decline Dock Approach (grade of slope) - \_\_\_\_\_  
 Incline Dock Approach (grade of slope) - \_\_\_\_\_

### Electrical Requirements (Hydraulic Only)

Motor voltage - \_\_\_\_\_  
 Volts - \_\_\_\_\_ Phase - \_\_\_\_\_  
 Hazardous controls (explosion proof) - Yes \_\_\_\_\_ No \_\_\_\_\_

### Dock and Trailer Heights

Dock height - \_\_\_\_\_  
 Maximum trailer/truck bed height \*- \_\_\_\_\_  
 Minimum trailer/truck bed height\* - \_\_\_\_\_  
 \* (ground to top of truck bed height)  
 Maximum trailer width - \_\_\_\_\_  
 Minimum trailer width - \_\_\_\_\_  
 Maximum trailer length - \_\_\_\_\_  
 Minimum trailer length - \_\_\_\_\_

### Maximum recommended grades for material handling equipment as follows:

Hand powered pallet jacks.....3%  
 Powered platform trucks.....7%  
 Low lift pallet trucks.....10%  
 Electric fork trucks.....10%  
 Gasoline fork trucks.....15%

### Pit Dimensions

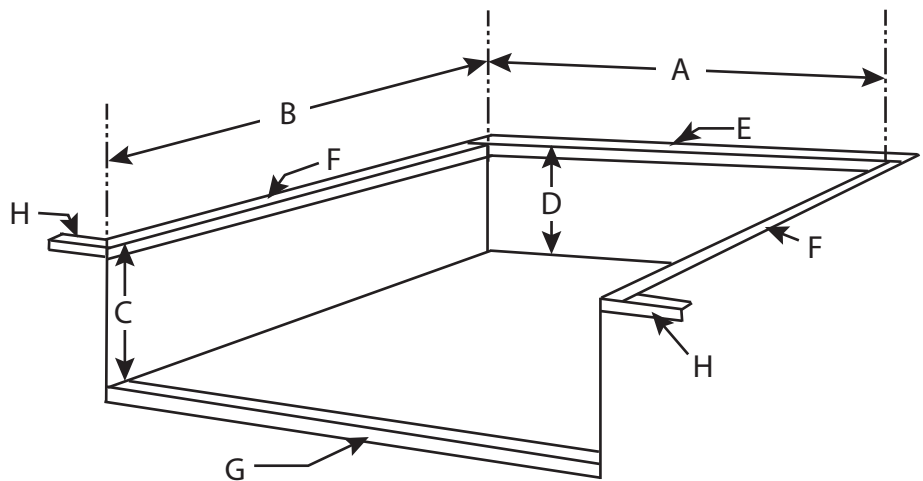
Width (A) \_\_\_\_\_  
 Length (B) \_\_\_\_\_

### Depth

Front (C) \_\_\_\_\_  
 Rear (D) \_\_\_\_\_

### Curb Angle Dimensions

Front (G) \_\_\_\_\_  
 Rear (E) \_\_\_\_\_  
 Side (F) \_\_\_\_\_  
 Optional (H) \_\_\_\_\_



Customer: \_\_\_\_\_  
 Signature Approval By: \_\_\_\_\_  
 Project: \_\_\_\_\_  
 Address: \_\_\_\_\_  
 City: \_\_\_\_\_ State: \_\_\_\_\_  
 Architect/GC: \_\_\_\_\_

Authorized Dealer