

**Series ETR Restraint Electrical Submittal**

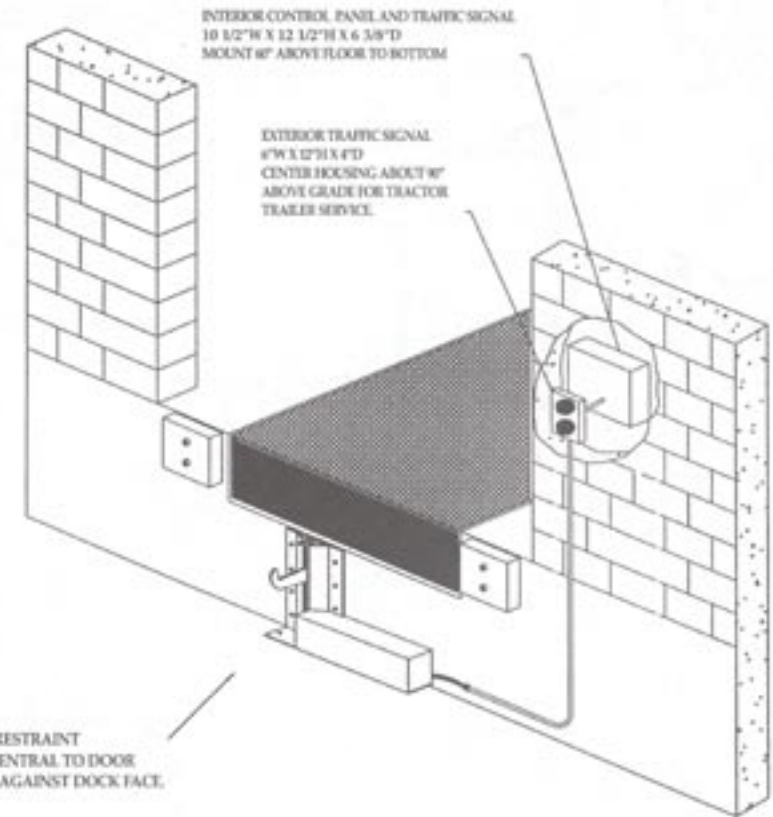
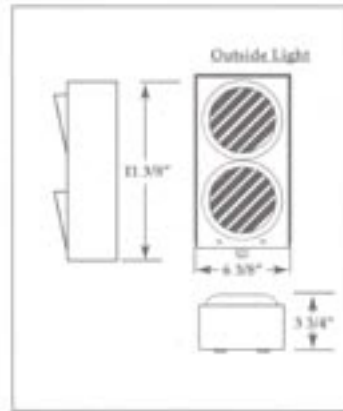
**STANDARD FEATURES**

- Automatic unit provides in excess of 50,000 lbs. restraining force.
- Wide 12"-30" operating range
- Captures and holds all legal ICC bars
- Non-impact operation — designed to meet 1998 ICC regulations
- Positive contact hook automatically floats up or down with trailer
- Automatic inside/outside light system
- Complete inside/outside sign package included
- Bolt hole pattern designed for optimal holding force.
- Low maintenance
- Approximately one (1) hour installation time.  
(Not including electrical wiring).

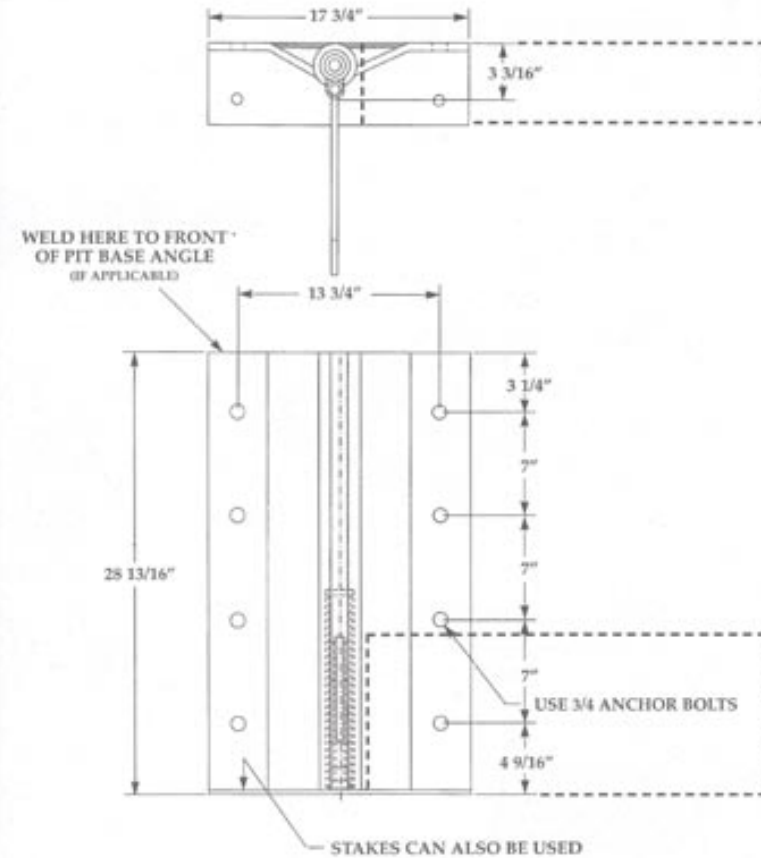
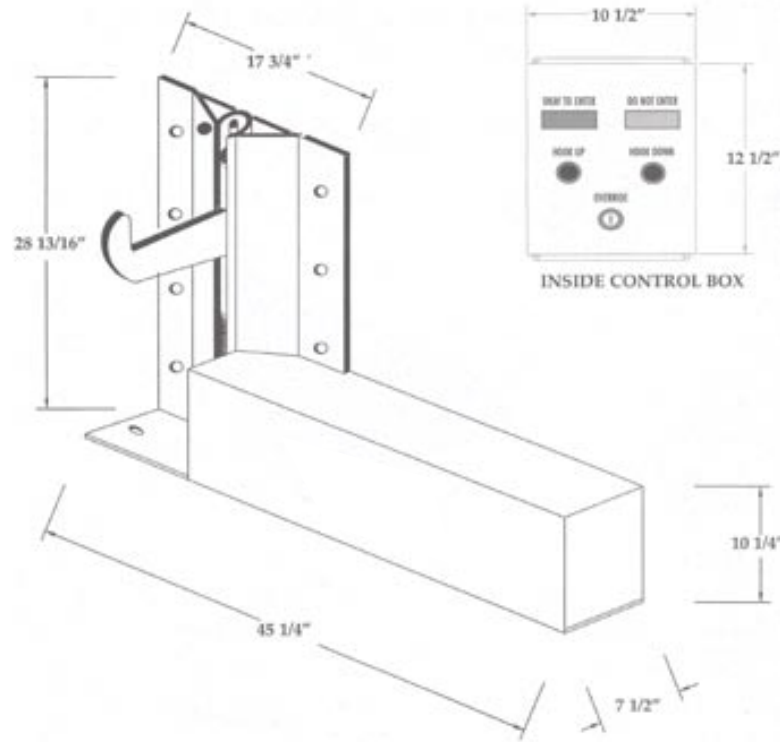
**OPTIONAL FEATURES**

- Steel mounting plate for new construction
- Steel blockouts for bumper projections greater than 4" including edge-of-dock levelers
- Template for pre-mounting attachment bolts

**INSIDE / OUTSIDE TRAFFIC DOCK LIGHT PACKAGE WARNING SIGNS**



**Series ETR Restraint Electrical Submittal**



Customer: \_\_\_\_\_  
 Signature Approval By: \_\_\_\_\_  
 Project: \_\_\_\_\_  
 Address: \_\_\_\_\_  
 City: \_\_\_\_\_ State: \_\_\_\_\_  
 Architect/GC: \_\_\_\_\_

Consistent with our policy of continuing product improvement, we reserve the right to change these specifications without notice or obligation.