

Dock Leveler Survey Sheet

Operation Characteristics

Number of shifts per day - _____
 Number of deliveries per shift - _____
 Number of trucks per dock per day - _____
 Days per week - _____
 Type of cargo - _____
 Is end loading of trailer typical? Yes _____ No _____

Material Handling Equipment

Hand powered pallet truck Electric pallet truck
 Powered platform truck Electric fork truck
 Gas/LP fork truck

3 wheeled 4 wheeled
 Solid tires Pneumatic tires

Maximum lifting capacity - _____
 Weight of fork truck and attachments - _____
 Total Gross Vehicle Weight (GVW) = _____

Loading Dock Approach

Level Dock Approach - _____
 Decline Dock Approach (grade of slope) - _____
 Incline Dock Approach (grade of slope) - _____

Electrical Requirements (Hydraulic Only)

Motor voltage - _____
 Volts - _____ Phase - _____
 Hazardous controls (explosion proof) - Yes _____ No _____

Dock and Trailer Heights

Dock height - _____
 Maximum trailer/truck bed height *- _____
 Minimum trailer/truck bed height* - _____
 * (ground to top of truck bed height)
 Maximum trailer width - _____
 Minimum trailer width - _____
 Maximum trailer length - _____
 Minimum trailer length - _____

Maximum recommended grades for material handling equipment as follows:

Hand powered pallet jacks.....3%
 Powered platform trucks.....7%
 Low lift pallet trucks.....10%
 Electric fork trucks.....10%
 Gasoline fork trucks.....15%

Pit Dimensions

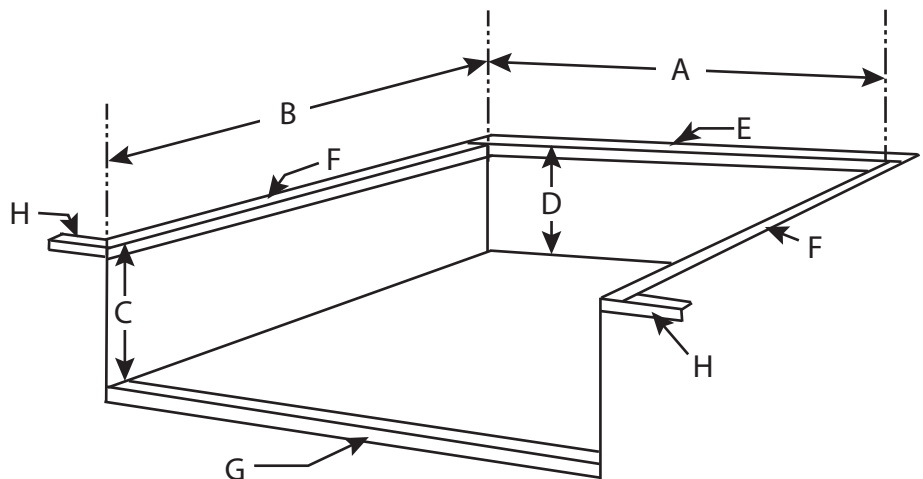
Width (A) _____
 Length (B) _____

Depth

Front (C) _____
 Rear (D) _____

Curb Angle Dimensions

Front (G) _____
 Rear (E) _____
 Side (F) _____
 Optional (H) _____



Customer: _____
 Signature Approval By: _____
 Project: _____
 Address: _____
 City: _____ State: _____
 Architect/GC: _____

Authorized Dealer