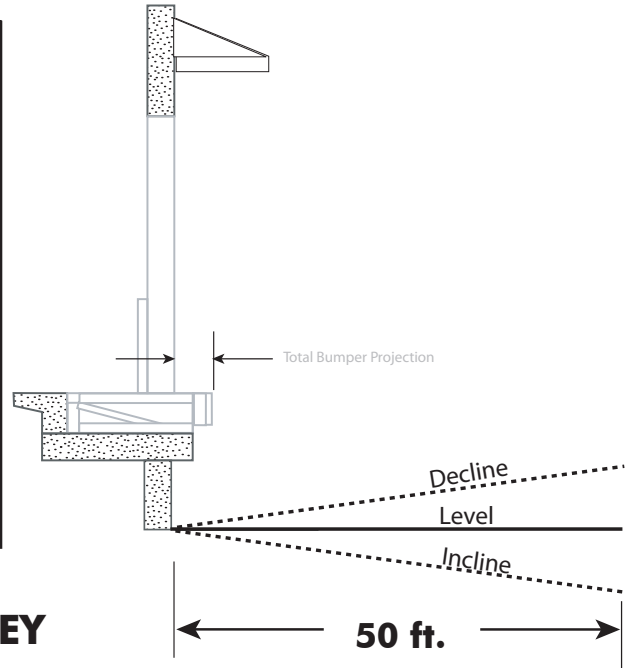
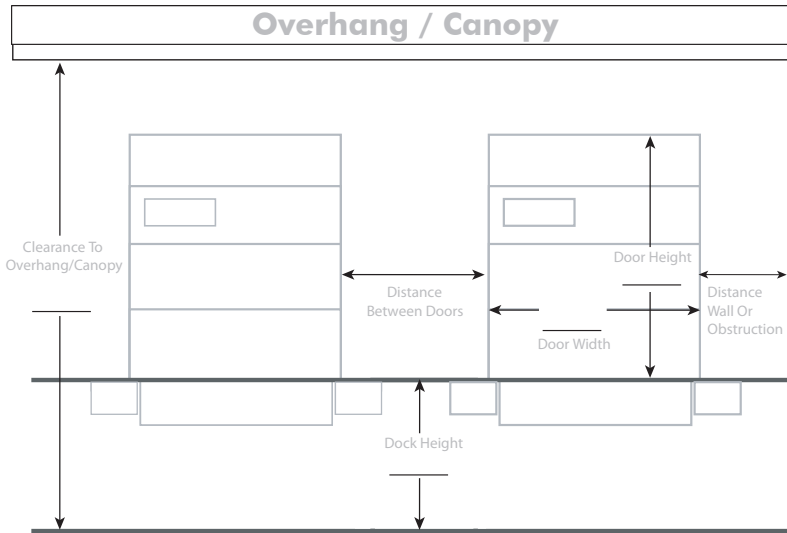


Dock Survey Sheet



CHALFANT SEALS AND SHELTERS SURVEY

Approach: Level Declined Inclined Change In Drive Elevation In 50'0" _____

Clearance To Underside Of Overhang/Canopy From Drive _____

Distance Between Doors _____ Building Wall Block Precast Metal Siding Freezer Wall Depth _____

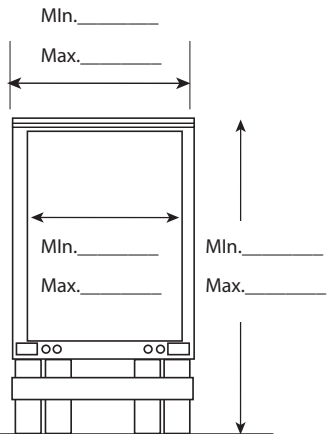
*Note Any Obstructions In Job Notes And Above Drawing * Building Wall Projection Past Face Of Dock Wall _____

Door Size _____ " Wide x _____ " High

Dock Height _____ Dock Bumper Projection _____ " Plus Wall Set Back _____ " Total Bumper Projection _____ "

NOTES: _____

FAX COMPLETED SURVEY TO CHALFANT 216-521-9922	
DATE: _____	QUANTITY: _____
PROJECT NAME: _____	
DISTRIBUTOR: _____	
PHONE: _____	FAX: _____
SITE CHECK BY: _____	



Truck Survey

Estimated Number Trucks Per Day Per Position _____

Number Of Shipping/Receiving Shifts Per Day _____

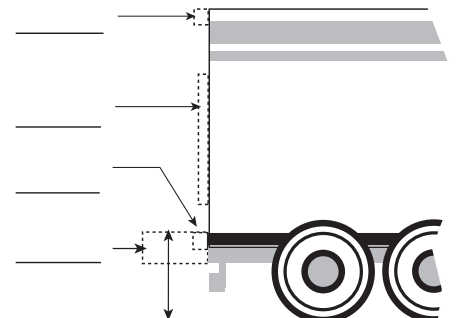
Maximum Unit Load Handled _____

Width _____ Height _____

Is The Load Double Stacked At The Rear Of Truck?

Yes No

WARNING! Spotted Trailers/Yard Jockeys Can Create A Decline Slope When Switching Occurs. Improper Dock Bumper & Dock Seal Projection May Damage Building And Injury May Occur.



Chalfant Offers: Dock Seals, Shelters, Hoods, Rail Shelters, Recovers, Docklevelers, Edge-Of-Docks, Bumpers, Impact Doors, Air Curtains, Dock Lights, Strip Curtains