

Truck Restraint Survey Sheet

Operation Characteristics

Number of shifts per day - _____
 Number of deliveries per shift - _____
 Number of trucks per dock per day - _____
 Days per week - _____
 Type of cargo - _____
 Is end loading of trailer typical? Yes _____ No _____

Existing Loading Dock Details

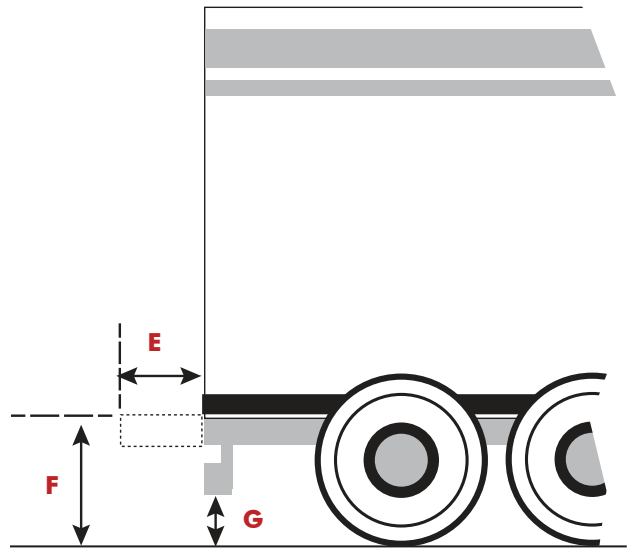
Dock leveler type:
 Hydraulic Air Mechanical EOD
 Truck Activated Vertical None

Dock Leveler Manufacturer - _____ Model - _____
 Lip length - _____ Safety lip - _____ Pit depth - _____

Dock construction:
 Dock height (D) - _____ Dock bumper projection (C) - _____
 Flush dock face Cantilever projecting dock face (see below)
 Lower front pit curb angle - 3 x 3 4 x 4 Pan Material None

Dock face mounting surface:
 Poured concrete Concrete block Emped mounting plate
 Brick veneer Self-standing frame

Loading dock approach:
 Level Decline - _____% Incline - _____%
 Driveway material - Concrete Asphalt Other _____



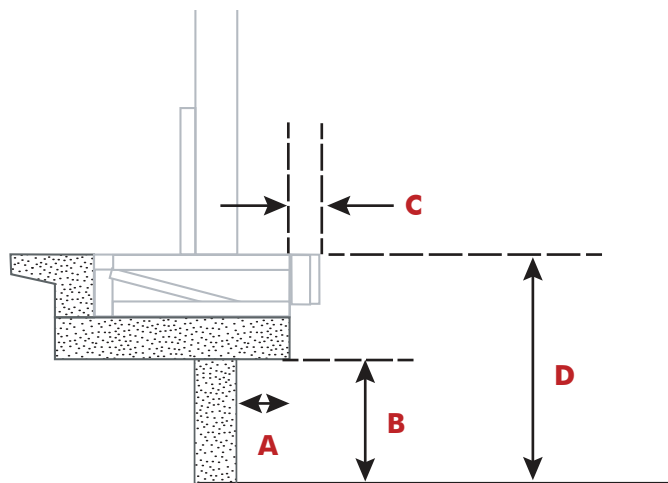
Truck Details

Rear bumper projection (E) - _____
 Truck bed height (F) - _____
 ICC bar height off ground (G) - _____
 Yard jockey use - _____

Cantilever Dock Dimensions

Width (A) _____
 Height (B) _____
 Bumper projection (C) _____
 Dock height (D) _____

Notes;



Customer: _____
 Signature Approval By: _____
 Project: _____
 Address: _____
 City: _____ State: _____
 Architect/GC: _____

Authorized Dealer